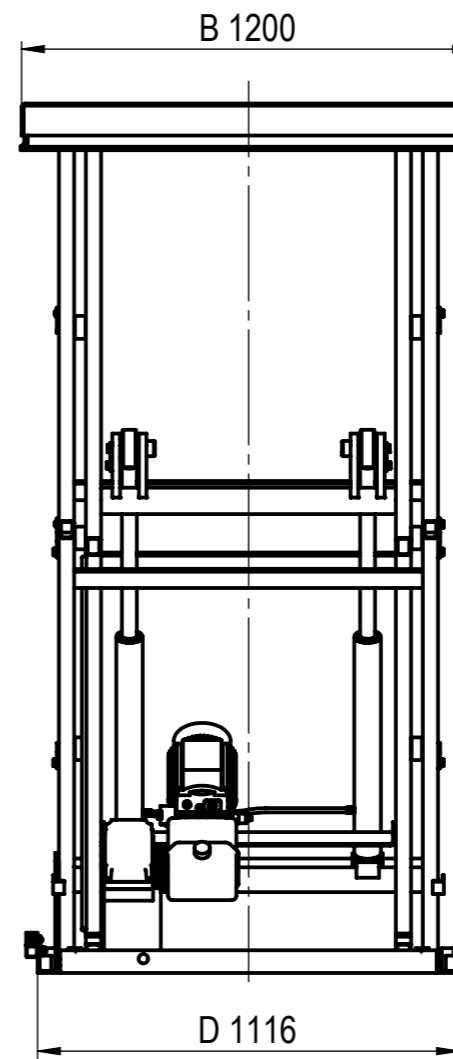
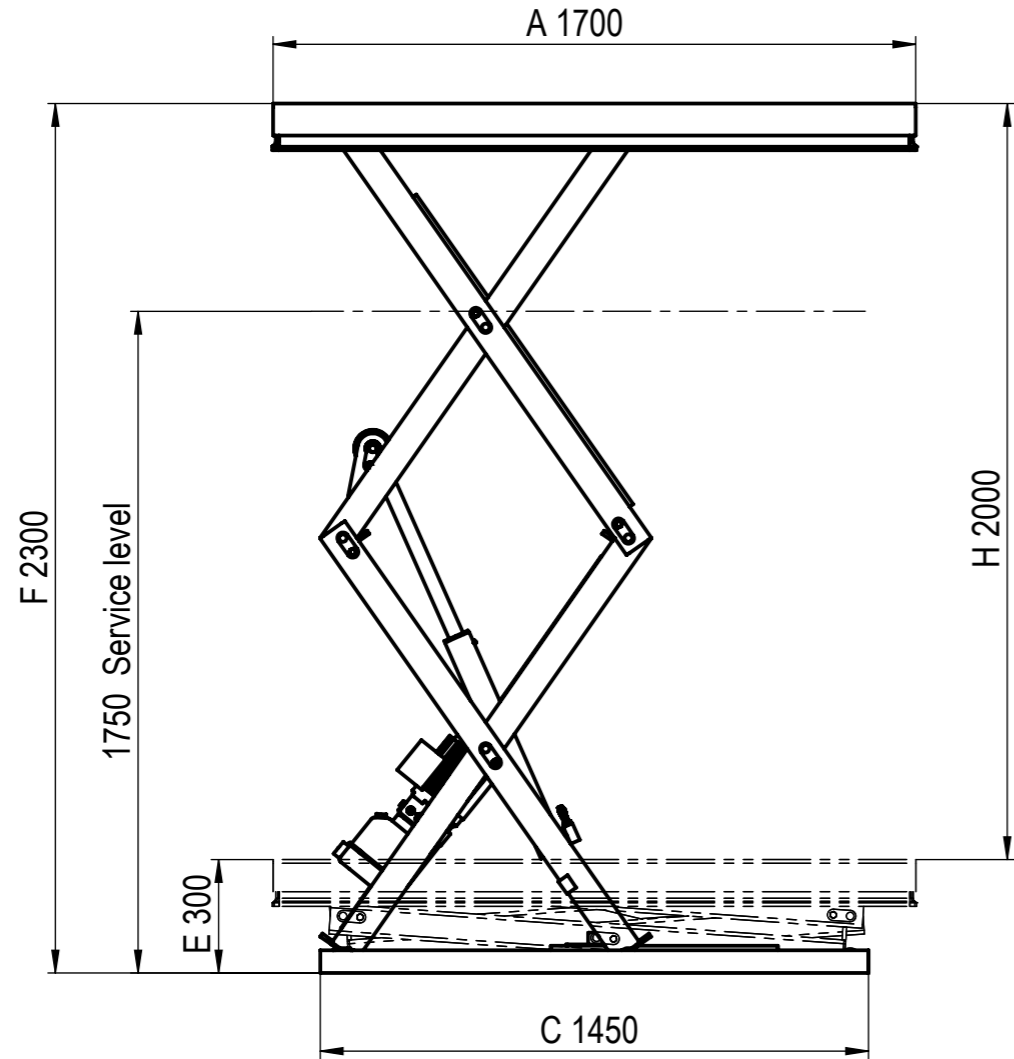
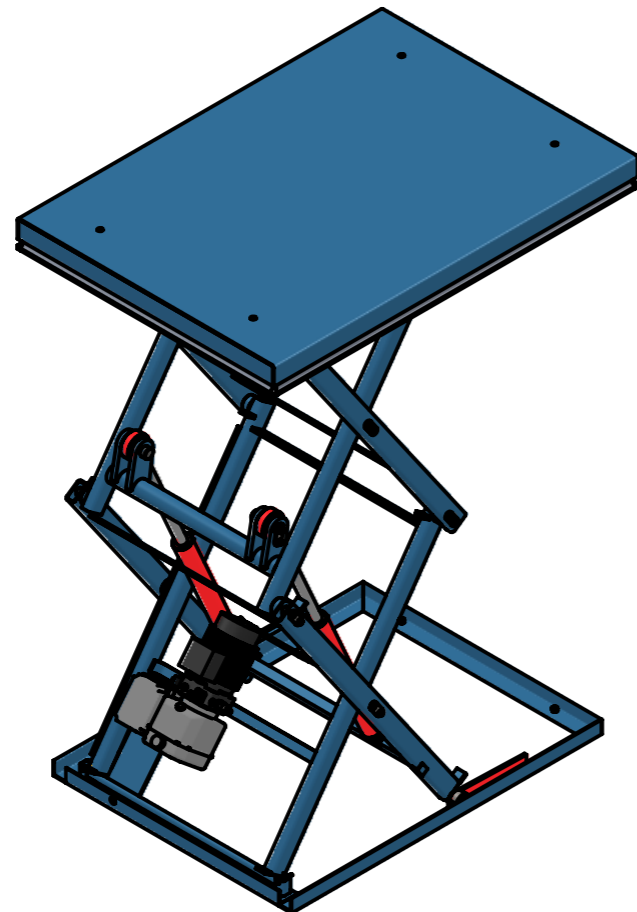


Subject to change. | Änderungen vorbehalten. | Sous réserve de modifications.



HTPD ERGONOMIZER



| | | |
|-----------------------------------------------------------------------------------------------------|-------------|-------|
| Capacity / Tragfähigkeit / Capacité (Full surface load / Flächenlast / Pleine charge de surface) | 500 | [kg] |
| Max Lifting / Max Hub / Hauteur de Levage max | 2000 | [mm] |
| Lifting Time / Hubzeit / Temps de course | 30 | [sek] |
| Required Power / Motorleistung / Puissance Moteur | 1,5 | [kW] |
| Power Supply / Stromversorgung / Tension d'alimentation | 3x400V 50Hz | |
| Lifting Category / Hubkategorie / Catégorie de Levage | 2 | |
| Class of Protection / Schutzklasse / Classe de protection | IP54 | |
| Color / Farbe / Couleur | RAL 5015 | |

| | | | | | | |
|------------------------------------------------------------------------------------------------------------------------------------------------------------------------------------------------------------------------------------------------------------------------------------------------------|--------------|--------------------------------|------|-------|-----------|------------|
| | | Part name | | | Quantity: | |
| | | HTPD 5 - 2000 1700x1200 | | | | |
| | | Drawing nr | | | Weight: | |
| | | 0265.17 00-00 HTPD-5-2000 -K17 | | | 360kg | |
| | Dimension in | Sheet | Size | Scale | Index | Date |
| | mm | 1 / 1 | A3 | 1:20 | MK | 2017-10-25 |
| General tolerances for nominal dimension without specified tolerance: IT 13 The Information Contained In This Drawing Is The Sole Property Of Columbus Mckinnon Corporation. Any Reproduction In Part Or As A Wholewithout The Written Permission Of Columbus Mckinnon Corporation Is Prohibited. | | | | | | |