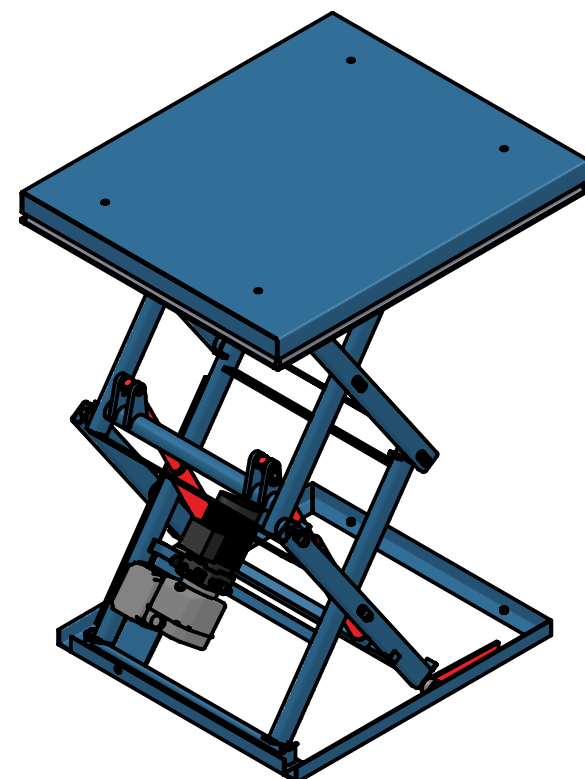
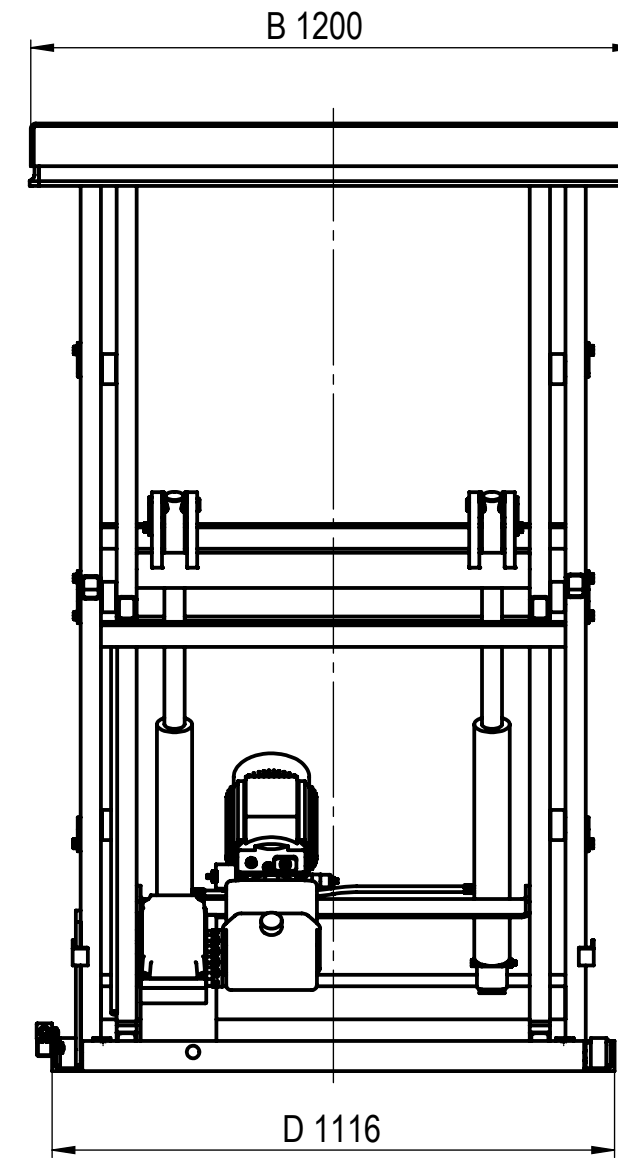
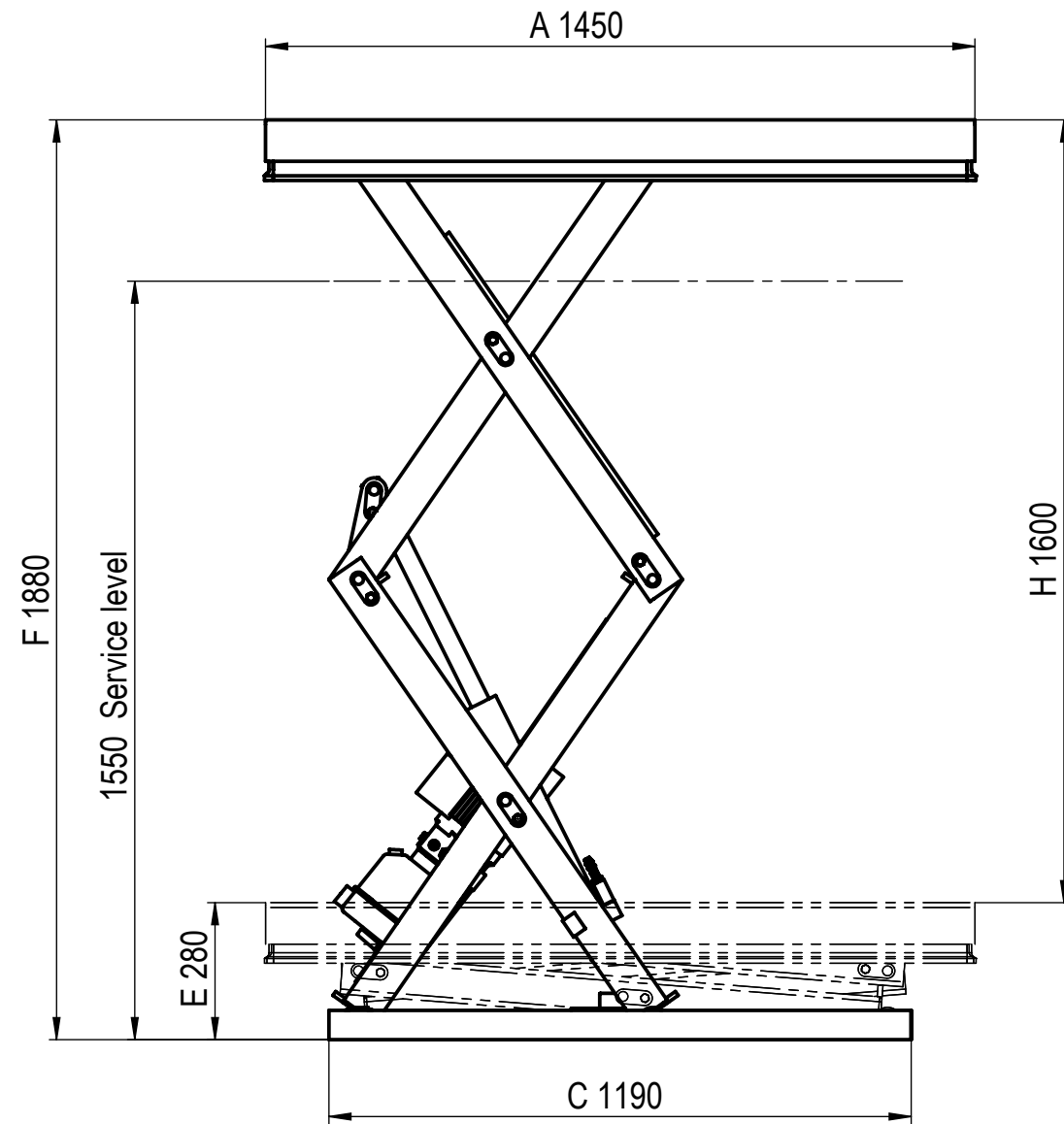


HTP ERGONOMIZER

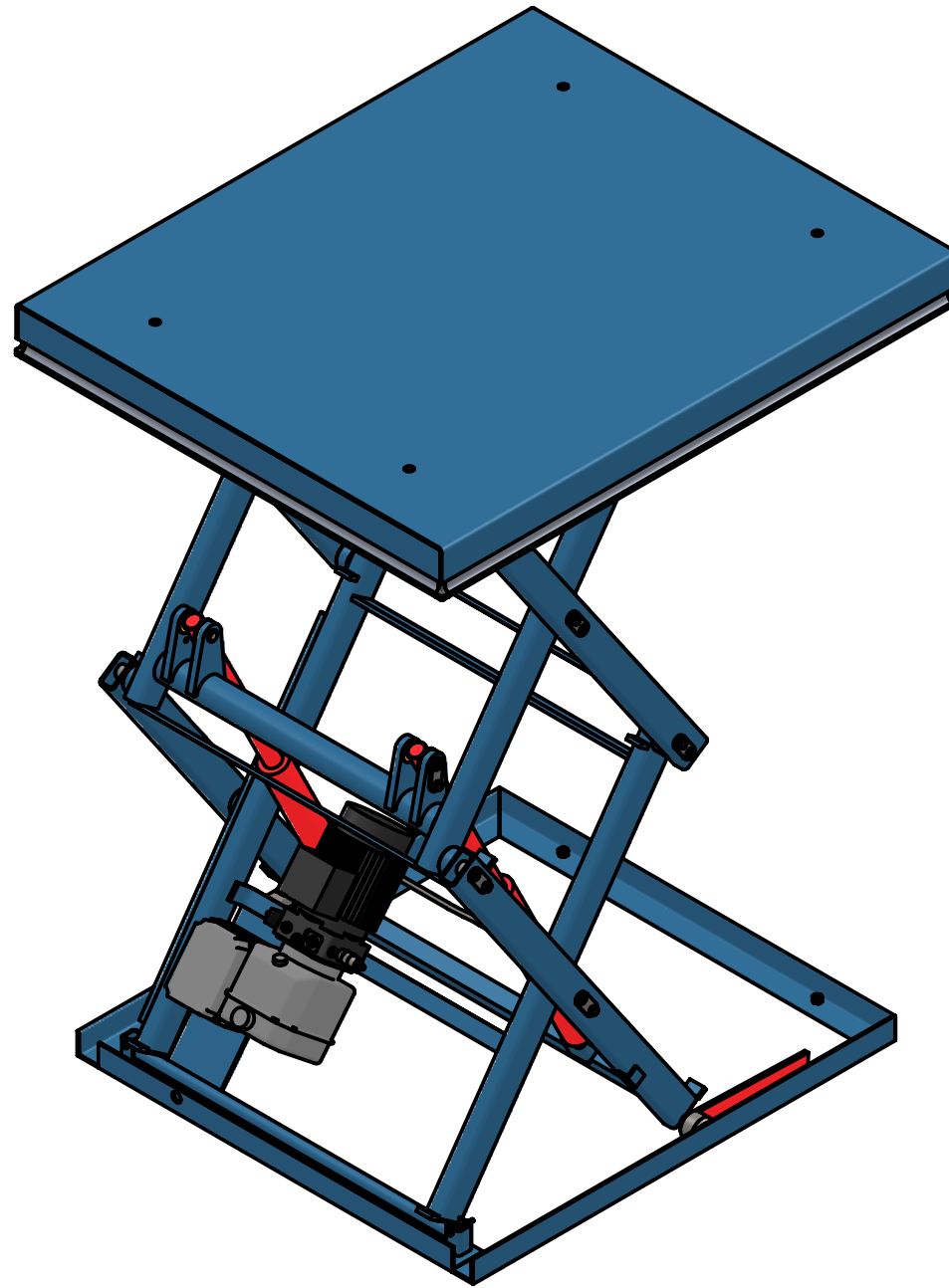


Subject to change. | Änderungen vorbehalten. | Sous réserve de modifications.



| | | |
|---|-------------|-------|
| Capacity / Tragfähigkeit / Capacité (Full surface load / Flächenlast / Pleine charge de surface) | 500 | [kg] |
| Max Lifting / Max Hub / Hauteur de Levage max | 1600 | [mm] |
| Lifting Time / Hubzeit / Temps de course | 30 | [sek] |
| Required Power / Motorleistung / Puissance Moteur | 1,5 | [kW] |
| Power Supply / Stromversorgung / Tension d'alimentation | 3x400V 50Hz | |
| Lifting Category / Hubkategorie / Catégorie de Levage | 2 | |
| Class of Protection / Schutzklasse / Classe de protection | IP54 | |
| Color / Farbe / Couleur | RAL 5015 | |

| | | | | | | | |
|---|--------------|---------------------------------------|------|-------|-----------|------------|--|
| | | Part name | | | Quantity: | | |
| | | HTPD 5 - 1600 1450x1200 | | | | | |
| | | Drawing nr | | | Weight: | | |
| | | 0176.17 00-00 HTPD-5-1600 -K17 | | | 312kg | | |
| | Dimension in | Sheet | Size | Scale | Index | Date | |
| | mm | 1 / 2 | A3 | 1:15 | MK | 2017-09-28 | |
| General tolerances for nominal dimension without specified tolerance: IT 13 The Information Contained In This Drawing Is The Sole Property Of Columbus McKinnon Corporation. Any Reproduction In Part Or As A Whole Without The Written Permission Of Columbus McKinnon Corporation Is Prohibited. | | | | | | | |

HTP ERGONOMIZER



Subject to change. | Änderungen vorbehalten. | Sous réserve de modifications.

| | | | | | | | |
|--|-------|--------------------------------|-------|-------|------------|-----------|--|
|  | | Part name | | | | Quantity: | |
| | | HTPD 5 - 1600 1450x1200 | | | | | |
|  | | Drawing nr | | | | Weight: | |
| | | 0176.17 00-00 HTPD-5-1600 -K17 | | | | 312kg | |
| Dimension in | Sheet | Size | Scale | Index | Date | | |
| mm | 2 / 2 | A3 | 1:15 | MK | 2017-09-28 | | |
| <small>General tolerances for nominal dimension without specified tolerance: IT 13 The Information Contained In This Drawing Is The Sole Property Of Columbus Mckinnon Corporation. Any Reproduction In Part Or As A Whole Without The Written Permission Of Columbus Mckinnon Corporation Is Prohibited.</small> | | | | | | | |